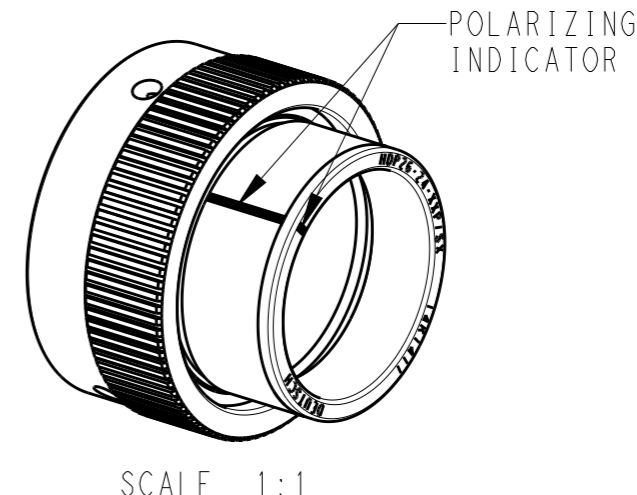


LOC	DIST	REVISIONS			
P	LTR	DESCRIPTION	DATE	DWN	APVD
		NC	NEW RELEASE PER E.O. P16572	07MAR2000	SB RDR
		A	REVISED PER E.O. P16875	29SEP2000	SB RDR
		B	REVISED PER E.O. P18119	15APR2003	AR RDR
		C	REVISED PER ECO-14-019072	23FEB2015	JA DM



- 5 NOTED DIMENSION DOES NOT INCLUDE GROMMET PROTRUSION.
- 4 MATERIAL: PLUG HOUSING/COUPLING RING: PA66 GF10 (BLACK)
RETAINER RING: PA66 GF10 (GREEN, GRAY, BLUE)
GROMMET: SILICONE (ORANGE-RED)
- 3 SEE 0425-021-0000 APPLICATION SPECIFICATION
A. RECOMMENDED WIRE INSULATION RANGE
B. CONTACT REMOVAL TOOLS

2. THIS PLUG MATES WITH HDP24-24XXP/SX-XXXX RECEPTACLE
 X = SEAL TYPE (N,T,E)
 XX = INSERT ARRANGEMENT
 XXXX = MODIFICATION

1 SEE CUSTOMER DRAWING 0425-014-2400 FOR AVAILABLE INSERT ARRANGEMENTS AND PART NUMBERS.

NOTES:

THIS DRAWING IS A CONTROLLED DOCUMENT.		DWN	06MAR2000	STE TE Connectivity
		CHK	11APR2003	
		APVD	11APR2003	
DIMENSIONS: INCHES [mm]		TOLERANCES UNLESS OTHERWISE SPECIFIED:		NAME
		0 PLC	±	PLUG, COUPLING RING SIZE 24 HDP SERIES
		1 PLC	±	
		2 PLC	±	
		3 PLC	±.015 [0.38]	
		4 PLC	±	SIZE
		ANGLES	±0°30'0"	CAGE CODE
MATERIAL		FINISH	N/A	DRAWING NO
4				A3 4AFU8
		WEIGHT		RESTRICTED TO
				-
Customer Drawing		SCALE	2:1	SHEET
				1 OF 1
				REV
				C